

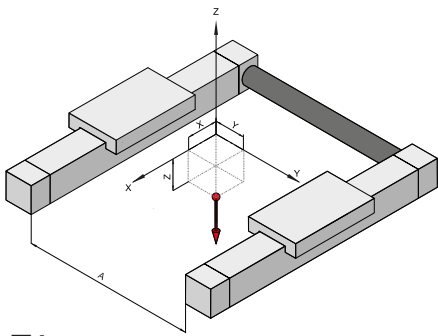


**Enquiry form
multi-axis systems**

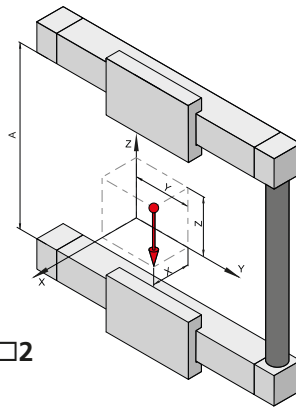


Enquiry form for multi-axis systems

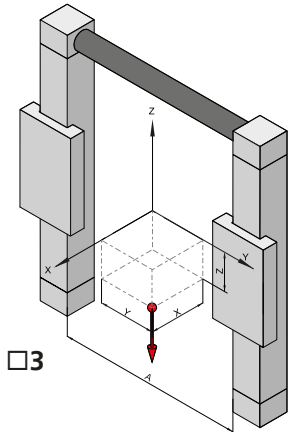
Application examples: 1 2 3 4 5 6 7 8 9 10 11 12



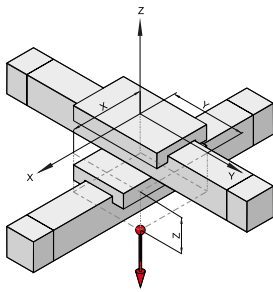
1



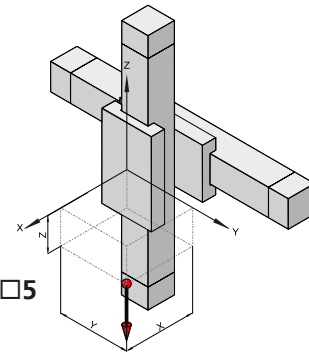
2



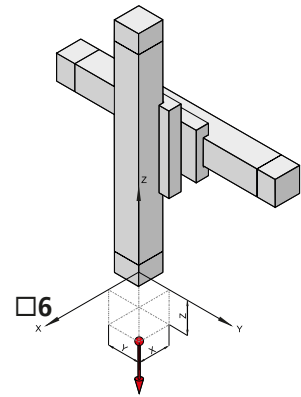
3



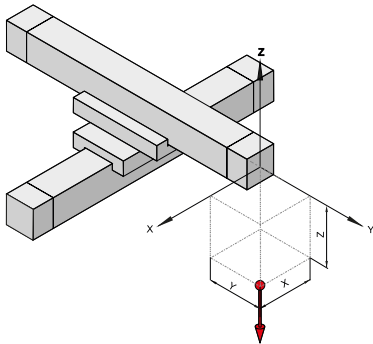
4



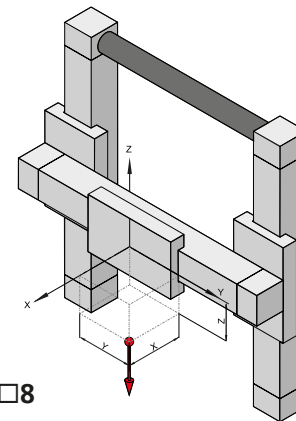
5



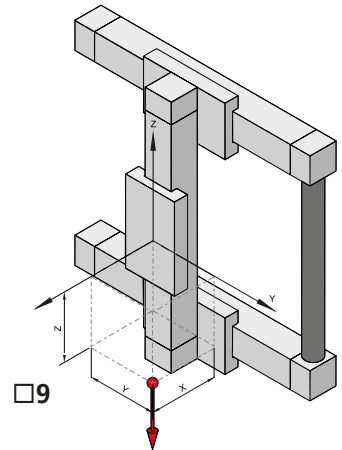
6



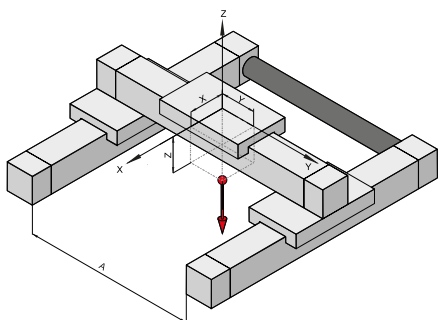
7



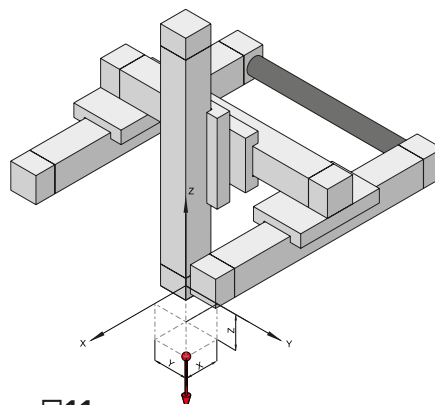
8



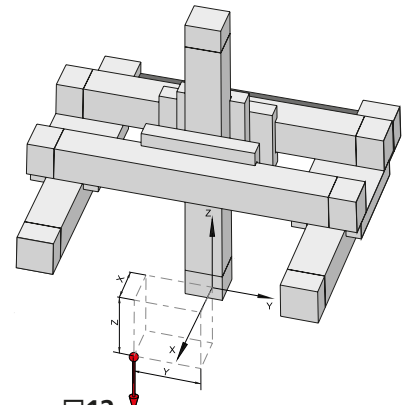
9



10



11



12

Enquiry form motors and controllers for multi-axis systems

RK Rose+Krieger GmbH
Potsdamer Strasse 9
32423 Minden/Germany
Telephone: +49 (0)571 9335-0
Fax: +49 (0)571 9335-119
E-mail: anfrage.vertrieb@rk-online.de
Date:.....

Customer number:
Company:.....
Project:
Telephone:
E-mail:
Contact:.....
Department:

Motor type:

DC motor

EHL electronic handwheel: Yes No
Speed controller: Yes No
LZ drive: Yes No

Three-phase drive

Worm gear motor: Yes No Motor temperature monitoring: Yes No
Spur gear motor: Yes No Required IP protection for motor/gear motor:.....
Spiroplan gear motor: Yes No With brake: Yes No
Motor voltage range:V Voltage for brake control: 24V/DC 230V/AC
Motor frequency:Hz Motor encoder:.....
(e.g. incremental encoder, resolver, absolute encoder)

Stepper motor driver with integrated control and power electronics (24-48VDC)

Motor connection cable length: 5m 7.5m 10m
Switching power supplies which are required for operation of the motor: Yes No
Programming cable: Yes No

Servo drive

Operating voltage from servo drive: 230V/AC
 400V/AC

Required IP protection for servo drive/ servo gear motor:.....
With brake: Yes No
Motor encoder: Absolute encoder Resolver

Positioning with set table max. 31 motion sets: Yes No
Servo controller with function Positioning with function blocks: Yes No

Cable length between system and control cabinet:
 2.5m 5m 7.5m 10m 12.5m 15m 20m

Positioning with master control system using field bus interface:
(e.g. Profibus, Profinet, CanOpen, EtherCAT)

Operating temperature (0-40°):.....°
Other ambient conditions which differ from a normal hall climate (0 to 40°C):
.....
.....

